

K2 Summit Impact Outswing Door

MEDIUM STILE IMPACT DOOR

The K2 Summit is the pinnacle of impact doors. Designed to withstand high design pressures, the K2 Summit can be built to 8' x 10' pairs and can be equipped with a myriad of options including 4 different types of panic hardware, optional 3/4" jambs, 10" bottom rail and more.



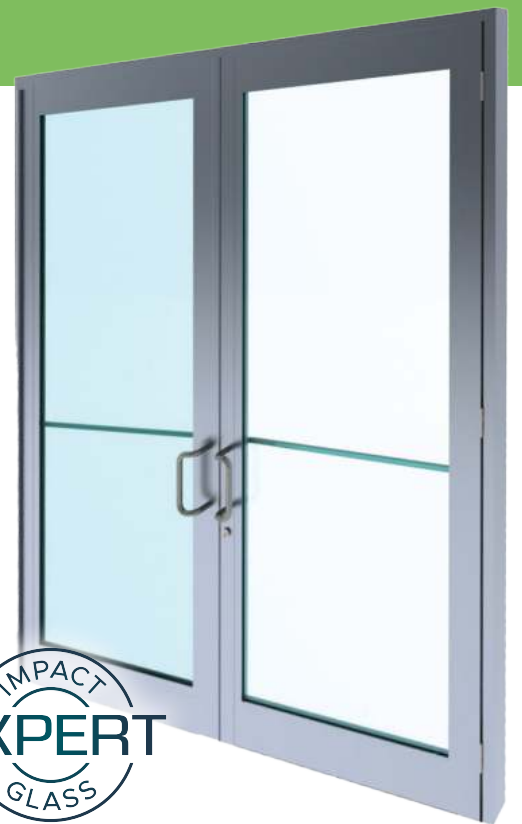
FEATURES:

- Up to 8'0" x 10' 0" pairs
- Panic equipped with Adams Rite or Sargent – Can be electrified
- Panic equipped with Von Duprin and Regent to 8' – Can be electrified
- 9/16" laminated or 1 5/16" laminated-insulated glass
- ADA bumper threshold



OPTIONS:

- Multiple panics
- Insulated laminated glazing
- Residential 3 point latch lever
- Butt hinges or continuous gear hinges
- 10" bottom rail
- 3/4" jambs



ALDORA ALUMINUM & GLASS PRODUCTS

4250 Coral Ridge Drive Suite 101
Coral Springs, FL 33065
Ph: 954.784.6900 Fax: 954.784.6901

7421 East Spartan Boulevard
Charleston, SC 29418
Ph: 800-868-4527 Fax: 800-314-4436

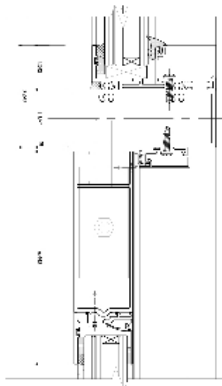
aldoraglass.com

K2 SUMMIT IMPACT

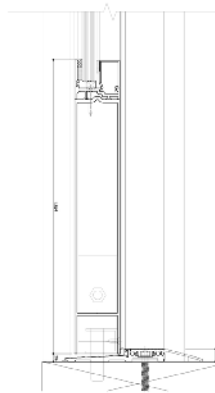
OUTSWING DOOR

Details:

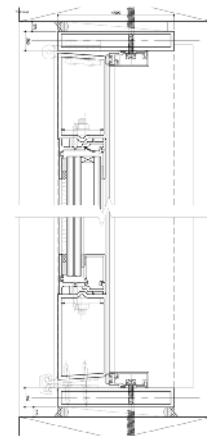
- 9/16" or 1 5/16" Glazing
- 3/4" Jamb's Optional
- Multiple Panics Available
- 4' x 10' Panels



K2 SUMMIT 1 5/16" INSULATED LAMINATED GLASS WITH TRANSOM

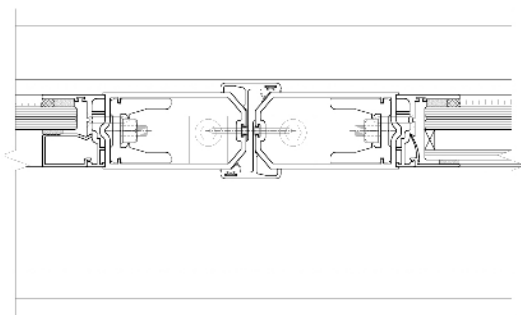


ADA BUMPER THRESHOLD WITH 10" BOTTOM RAIL



1 5/16" GLAZING WITH STANDARD HINGE AND 3/4" JAMB, 9/16" GLAZING WITH 3/4" JAMB AND CONTINUOUS GEAR HINGE

Performance:



K2 SUMMIT MEETING STILES WITH 9/16" AND 1 5/16" GLAZING AND ASTRAGALS

GLASS LOADS	9/16" HS Uvekol or 1 5/16" w/ HS Uvekol	9/16" Uvekol Annealed	9/16" .090 Saflex Annealed	1 5/16" .090 Saflex HS
	+100/-100 spf	+90/-90 psf	+90/-90 psf	+90/-90 psf
WATER	15 lbs. (Please specify if water rated when ordering)			
MAX PANEL SIZE	Non-Reinforced		Reinforced	
	72" x 108" (optional transom to 10')		96" x 120" (optional transom to 12')	
APPROVED PANICS	Regent 4770	Von Duprin	Sargent	Adams Rite
	Max Dim. 6' x 8'	Max Dim. 6' x 8'	Max Dim. 8' x 10'	Max Dim. 8' x 10"
TESTING PROTOCOL	Miami Dade NOA and Florida Building Code Approved			
	TAS 201 Passed	TAS 202 Passed	TAS 203 Passed	ANSI Z97 Passed



ALDORA ALUMINUM & GLASS PRODUCTS

4250 Coral Ridge Drive Suite 101
Coral Springs, FL 33065
Ph: 954.784.6900 Fax: 954.784.6901

7421 East Spartan Boulevard
Charleston, SC 29418
Ph: 800-868-4527 Fax: 800-314-4436

aldoraglass.com